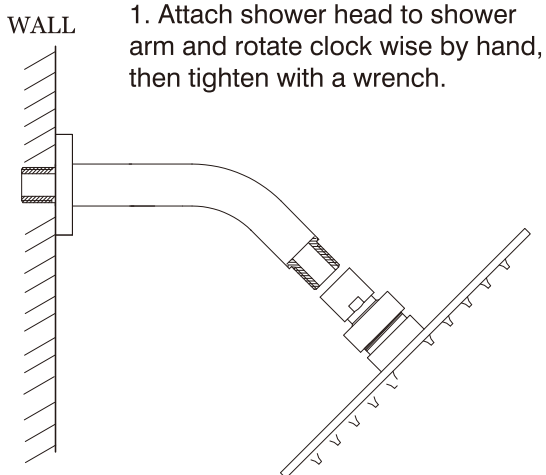
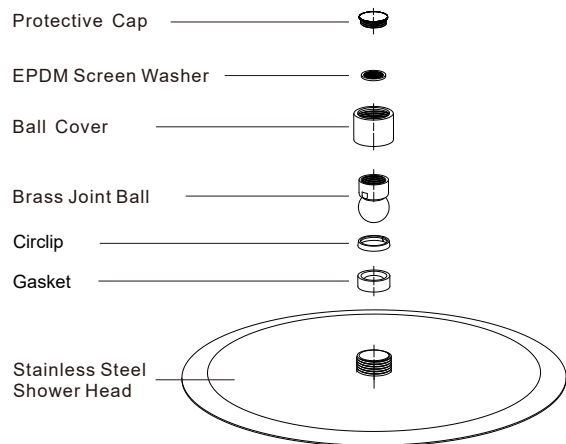
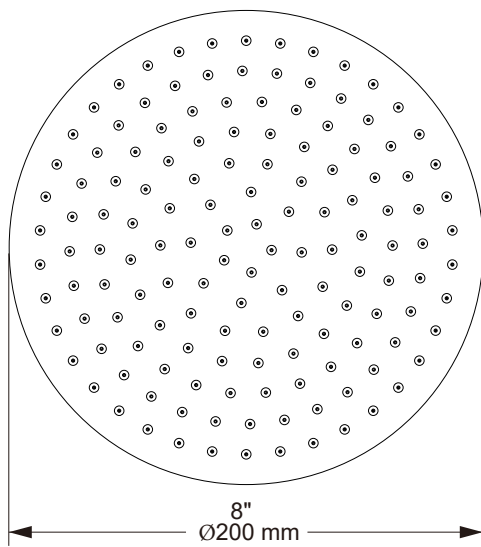
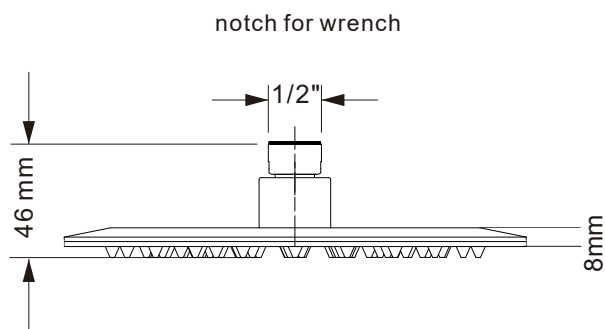




8" Round shower head Installation instruction



Routine maintenance

The surface of the product should be cleaned once a month, and the surface can be gently wiped with ordinary detergent and cotton cloth.

If it is found that the silicone nozzle is blocked, causing the water flow to deviate or block the water flow, please gently button the silicone nozzle with your finger.

